

Floor Mounting Rubber Isolator

ACM

For noise reduction and vibration control.



Non-migrating rubber material applied. Visible rubber mark will be hard to find by using certain materials.

Benefit

- Noise reduction and vibration control for outdoor equipment.
- High performance, reasonable and long lasting

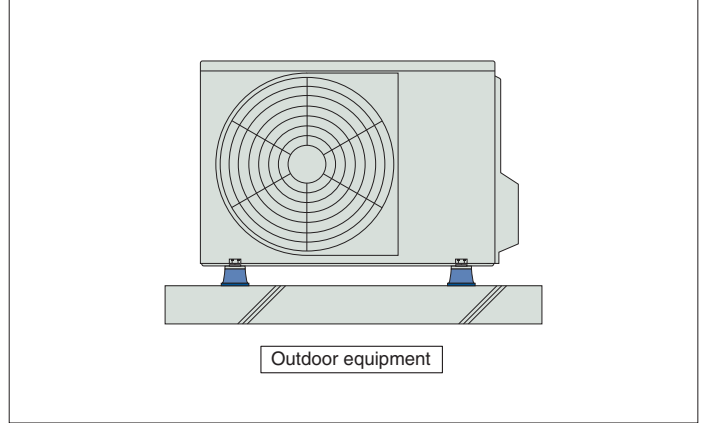
Feature

- Weather resistance rubber and stainless plate are used. Long lasting with outdoor usage.
- Easy construction and outstanding vibration control.
- Easy level adjustment.

Applications

Used as vibration proof device of A/C outdoor equipment, small fan, electrical mortar, compressor.

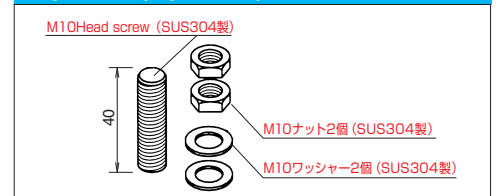
Typical applications



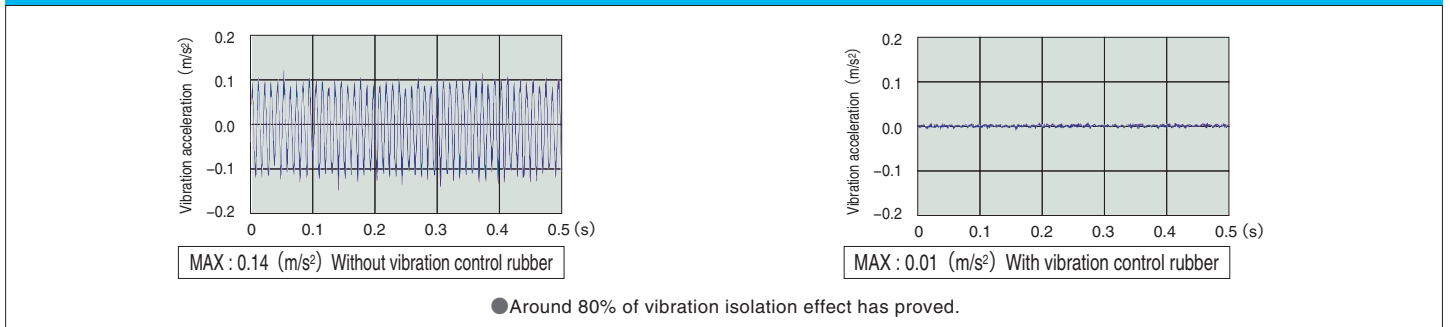
Structure and dimension

	Number	Name	Material
	①	Metal fittings	SUS304
	②	Nut	SUS304
	③	Rubber itself	Synthetic rubber
	Model number	Spring constant	Allowable load
	ACM-30	147N/mm (15.0Kg/mm)	490N (50kg)

Optional(Optional)



Vibration control measurement when outdoor unit runs.



Handling instructions

- Some cases need extra support to A/C leg part with using copper metals, depending on the weight of A/C outdoor unit or shape of leg part.
- Please note that the product must be avoided adhesion such as strong acid, strong alkali, organic solvent, fat and oil.
- Please be sure to attach the device with equable loading to compression direction
- Please make sure to use the device within a given load range.
- The product must be protected from spark like welding.
- As non-transferable and specific rubber is used for the product, curing sheet is required when the device is temporary placing on the vinyl chloride sheet.

This brochure may be revised without prior notice. We apologize in advance for any inconvenience this may cause.

Agent

TOZEN Corporation
8-4, Asahi, Yoshikawa
Saitama 342-0008 Japan